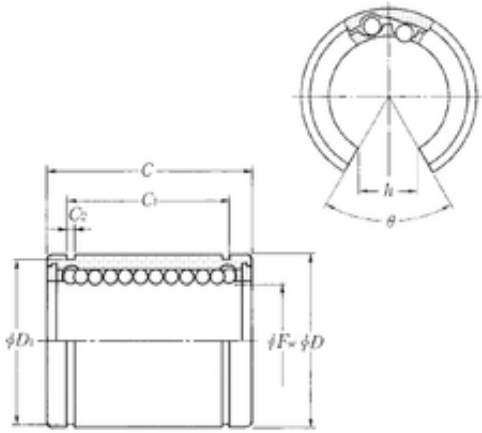




Timken bearing do Brasil

NTN KLM40P linear bearings

Bearing No. KLM40P



KLM40P Bearing 2D drawings and 3D CAD models

Size	40x60x80 mm
Bore Diameter	40 mm
Outer Diameter	60 mm
Width	80 mm
Fw	40 mm
D	60 mm
C	80 mm
h	17,2 mm
C1	60,3 mm
D1	57 mm
	50 mm
C2	2,1 mm
Weight	0,53 Kg
Basic dynamic load rating (C)	3 950 kN