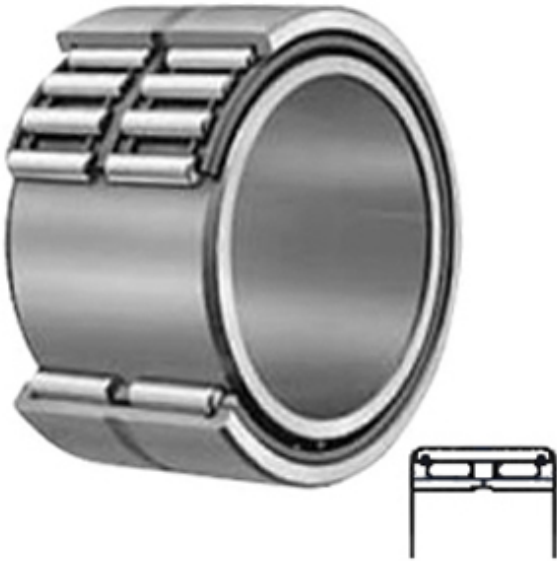




Timken bearing do Brasil



NA-6917 Bearing 2D drawings and 3D CAD models

3.346 Inch | 85 Millimeter x 4.724 Inch | 120
 Millimeter x 2.48 Inch | 63 Millimeter
**CONSOLIDATED BEARING NA-6917 Needle
 Non Thrust Roller Bearings**

Bearing No. NA-6917

Category	Needle Non Thrust Roller Bearings
Inventory	0.0
Manufacturer Name	CONSOLIDATED BEARING
Minimum Buy Quantity	N/A
Weight	2.427
EAN	0644075079358
Product Group	B04144
Rolling Element	Needle Roller Bearing
Component	Complete with Outer and Inner Ring
Enclosure	Open
Self Aligning	No
Retainer	Yes
Number of Rows of Rollers	Double Row
Separable	Inner Ring - Both Sides
Closed End	No
Inch - Metric	Metric
Relubricatable	Yes
Thrust Bearing	No
Long Description	85MM Bore; 120MM Outside Diameter; 63MM Width; Needle Roller Bearing; Complete with Outer and Inner Ring;



Timken bearing do Brasil

	Open Enclosure; No Self Aligning; Retainer; Double Row of Rollers; Inner Ring - Both Sides Sep
Other Features	Plain Inner Ring Outer Ring with 2 Retaining Rings Oil Hole
Category	Needle Non Thrust Roller Bearing
UNSPSC	31171512
Harmonized Tariff Code	8482.40.00.00
Noun	Bearing
Keyword String	Needle
Manufacturer URL	http://www.consbrgs.com
Manufacturer Item Number	NA-6917
Weight / LBS	5.36
d	3.346 Inch 85 Millimeter
D	4.724 Inch 120 Millimeter
B	2.48 Inch 63 Millimeter